

C & S Disconnect Switches

Motor Disconnect Switches

Features

Compact design
 Motor Starting - up to 60 HP / 600V General use rating 16A to 125A / 600V
 Comprehensive range of accessories includes Door Mounting
 Kits / Snap-on Auxiliary Contacts
 Choice of external handles / shafts

Standards

- UL508 as Motor Controller (UL File E2331 99)CSA
- IEC 60947 - 3 as Switch Disconnecter
- CE mark

Technical Characteristics

UL Technical Characteristics

Catalogue Reference	3P 4P	CSSD16D1 CSSD16D4	CSSD25D1 CSSD25D4	CSSD30D1 CSSD30D4	CSSD40D1 CSSD40D4	CSSD60K3 NA	CSSD80D1 NA	CSSD100D1 NA	CSSD125D1 NA
Rating (3/4 Poles)	A	16	25	30	40	60	80	100	125
UL Approval		UL 508	UL 508	UL 508	UL 508	UL 508	UL 508	UL 508	UL 508
Max. Operational Voltage	V	600	600	600	600	600	600	600	600
Short Circuits Rating	KA	10	10	10	10	10	10	10	10
Branch Circuit Fuse Type		KTS-R	KTS-R	KTS-R	KTS-R	KTS-R	KTS-R	KTS-R	KTS-R
Max. Fuse Rating	A	80	80	80	80	150	150	150	150
Max. H.P. Rating		5	5	7.5	10	15	20	25	25
Three Phase a) 240V	HP	7.5	10	15	20	30	40	50	50
B) 480V		10	15	25	30	40	50	60	60
c) 600V									
Single Phase a) 120V	HP	1	1.5	2	2	3	5	5	5
b) 240V		2	3	5	5	10	15	15	15
Wire Range (Stranded)	AWG	# 14~# 12	# 10	# 10	# 8	# 6	# 6~# 4	# 4	# 3~# 1
Wire Type (Stranded)		Cu	Cu	Cu	Cu	Cu	Cu	Cu	Cu
Weight 3 pole	lb.	0.44	0.44	0.44	0.44	0.66	0.66	0.66	0.66

IEC Technical Characteristics

Catalogue Reference	3P 4P	CSSD16D1 CSSD16D4	CSSD25D1 CSSD25D4	CSSD30D1 CSSD30D4	CSSD40D1 CSSD40D4	CSSD60K3 NA	CSSD80D1 NA	CSSD100D1 NA	CSSD125D1 NA
Rating (3- 4 Poles)	A	16	25	30	40	60	80	100	125
Thermal Current (40°C)	A	16	25	30	40	60	80	100	125
Rated Insulation Voltage (Ui)	V	690	690	690	690	690	690	690	690
Rated Imp. Withstand Voltage (Uimp)	A	8	8	8	8	8	8	8	8
Operational Current		16	25	30	40	63	80	80	80
400V AC AC22A		16	25	25	25	63	63	63	63
AC23A		16	25	30	40	63	80	80	80
500V AC AC22A		16	20	25	25	45	45	45	45
AC23A		16	25	30	40	63	80	80	80
690V AC AC22A		16	20	25	25	40	40	40	40
AC 23A									
Motor Power									
400V AC AC23	KW	5.5	7.5	11	11	25	25	25	25
500V AC AC23		7.5	9	15	15	25	25	25	25
690V AC AC23		9	11	15	15	25	25	25	25
Short Circuit Current with fuses	KArms	50	50	50	50	50	50	50	50
Max. rating for associated fuses	A	16	25	30	40	63	80	80	80
Cut off current	kAp	4.5	4.5	5	5	8	8	8	8
Short Time withstand Current for 1 sec.	kA	0.9	0.9	1	1	1.5	1.5	1.5	1.5
Mechanical Endurance	Nos.	20000	20000	20000	20000	20000	20000	20000	20000
Connection CU	Sq. mm	1.5 to 6	1.5 to 6	1.5 to 6	1.5 to 6	1.5 to 35	1.5 to 35	1.5 to 35	1.5 to 35

C & S Disconnect Switches

Ordering Information Select a Switch

Ampere Rating	16A	25A	30A	40A	60A	80A	100A	125A
Catalogue Reference	CSSD16D1	CSSD25D1	CSSD30D1	CSSD40D1	CSSD60K	CSSD80D1	CSSD100D1	CSSD125D1
List Price	\$150	\$177	\$189	\$212	\$240	\$354	\$390	\$860

Select Handle & Shaft

Rotary Handle

NEMA TYPE	IEC TYPE	DEFEATABLE	COLOUR (16A~125A)	OPERATION	CATALOG NO.	List Price
1, 3R, 12, 4, 4X	IP65	NO	BLACK	I/O	CSSDZX104	\$36
1, 3R, 12, 4, 4X	IP65	NO	RED/YELLOW	I/O	CSSDZX106	\$36

5 x 5mm Shaft - for use with Rotary Handles only

SHAFT LENGTH (Inches / mm)	CATALOG NO. (16A~125A)	List Price
12.0 / 305	Sq. 5 x 305	\$25

Pistol Handle

NEMA TYPE	IEC TYPE	DEFEATABLE	COLOUR (16A~125A)	OPERATION	CATALOG NO.	LIST PRICE
1, 3R, 12, 4, 4X	IP65	NO	BLACK	I/O	CSDB20	\$72
1,3R, 12, 4, 4X	IP65	NO	RED/YELLOW	I/O	CSDB21	\$72

6 - 5mm Shaft - for use with Pistol Handles only

SHAFT LENGTH (Inches / mm)	CATALOG NO. (16A~125A)	LIST PRICE
12.0 / 320	Sq. 6-5 x 320	\$25

Door Mounting Kits

FOR SWITCHES	CATALOG NO.	LIST PRICE
CSSD16D1 ~ CSSD125D1	DMK 1/1A	\$72
CSSD16D4 ~ CSSD40D4	DMK 1/3	\$72

Auxiliary Switches*

FOR SWITCHES	CATALOGUE NO.	CONFIGURATION	LIST PRICE
CSSD16D1 ~ CSSD40D1	CSSDZX101	1NO	\$24
	CSSDZX1 02	1NC	\$24
	CSSDZX105	1NO + 1NC	\$48
CSSD60D1 ~ CSSD125D1	CSSDZY101	1NO	\$24
	CSSDZY102	1NC	\$24
	CSSDZY105	1NO + 1NC	\$48

* Auxiliary Block + Mounting Bracket

Auxiliary Blocks**

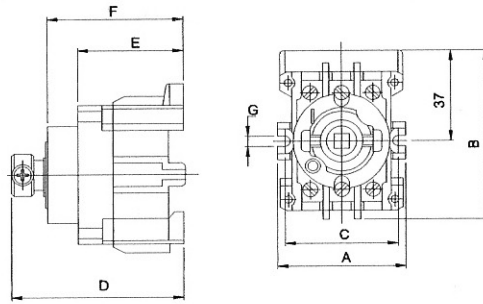
CATALOGUE NO.	CONFIGURATION	LIST PRICE
RB2-BE101	1 NO	\$5.70
RB2-BE102	1 NC	\$5.70

* Maximum assembly of 3 Auxiliary Blocks possible on either side

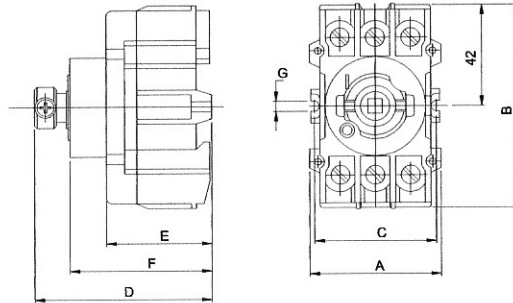
C & S Disconnect Switches

Dimensions Details CSSD 16 ~ 125D1

CSSD 16A ~ 40A



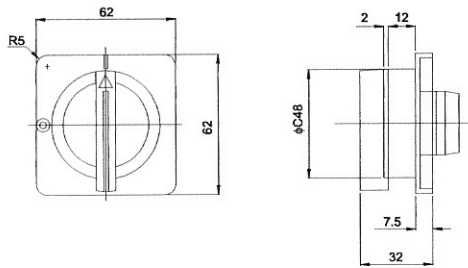
CSSD 60A ~ 125A



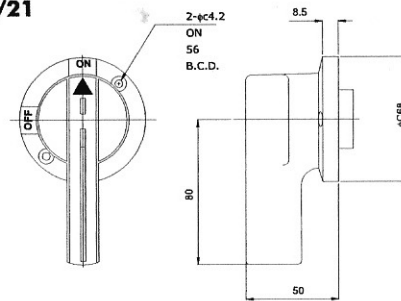
Rating	A		B		C		D		E		F		G	
	mm	In.	mm	In.	mm	In.	mm	In.	mm	In.	mm	In.	mm	In.
CSSD 16A-40A	51	2.01	68	2.68	45	1.77	69	2.72	42	1.65	55	2.16	4.2	0.17
CSSD 60A-125A	52.5	2.07	83.7	3.30	50	1.97	73	2.87	43	1.69	58	2.28	4.2	0.17

Handle Dimensions Details

CSSDZX104/105



CSDB20/21



Rating	Min. Mounting Depth			
	Square Bezel Type		Pistol Type	
	mm	In.	mm	In.
CSSD 16~40A	90	3.54	132	5.20
CSSD 60~125A	90	3.54	136	5.35