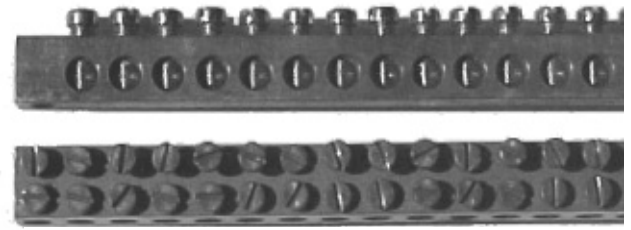


CG NEUTRAL / GROUNDING BARS

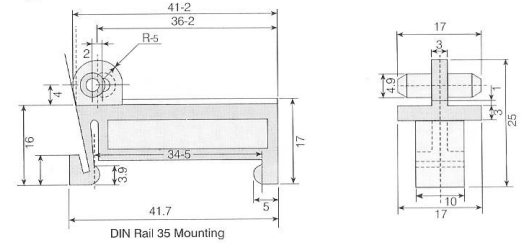
FEATURES

Standard Brass Neutral Bars are available in sections of 7mm x 9mm, 8mm x 12mm and 12.7mm x 12.7mm, for use in Distribution and Panel Boards. They are stocked in 1/2 metre lengths. Fine Surface Finish with Standard M5 Zn. Plated Screws.

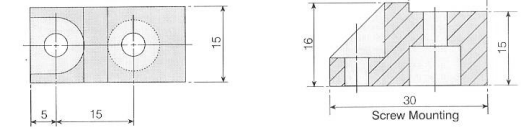
SERIES NA - 7MM X 9MM X 500MM		
CAT NUMBER	TERMINALS	LIST PRICE
NB NAH	59	\$19.50
Series NB - 8mm x 12mm x 500mm		
NB NBH	59	\$ 31.00
SERIES NC - 12.7MM X 12.7MM X 500MM		
NB NCH	59 x 2 rows	\$ 57.00
NEUTRAL BAR SUPPORTS		
CAT. NUMBER	TYPE	LIST PRICE
NBDB	DIN Rail	\$1.50
NBSB	Screw Mounting	\$1.00



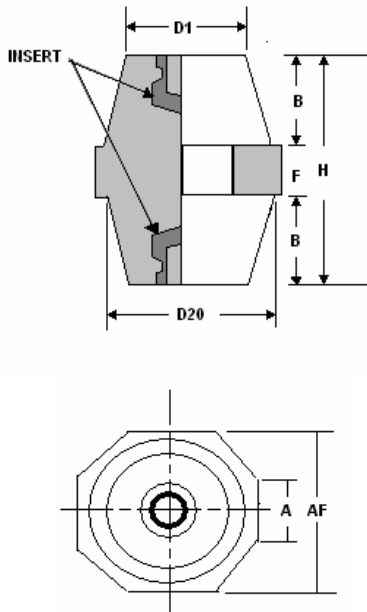
Type : SD



Type : SS



CG STANDARD OCTAGONAL CENTER BAND BUSBAR SUPPORTS



CAT. NO.	H	INSERT	A/F	D1 Ø	D2 Ø	B	A	F	PRICE
OCT14M4	14	M4	13.5	12	13	5.5	6	3	3.35
OCT20M5	20	M5	19	15	17	7.5	8	5	4.47
OCT25M5	25	M5	21	16	18	9	9	7	4.75
OCT25M6	25	M6	21	16	18	9	9	7	4.75
OCT30M6	30	M6	32	23	28	10.5	13	9	5.59
OCT30M8	30	M8	32	23	28	10.5	13	9	5.59
OCT35M5	35	M5	35	25	30	12.5	14	10	5.59
OCT35M6	35	M6	35	25	30	12.5	14	10	5.59
OCT35M8	35	M8	35	25	30	12.5	14	10	6.71
OCT40M6	40	M6	40	30	34.5	15	16	10	7.89
OCT40M8	40	M8	40	30	34.5	15	16	10	8.39
OCT40M10	40	M10	40	30	34.5	15	16	10	8.94
OCT45M8	45	M8	40	30	35	17.5	17	10	9.22
OCT45M10	45	M10	40	30	35	17.5	17	10	10.06
OCT50M10	50	M10	44	33	38	20	18	10	15.65
OCT55M10	55	M10	44	40	44	22	23	11	18.45
OCT60M8	60	M8	55	40	47	24.5	23	11	19.00
OCT60M10	60	M10	55	40	47	24.5	23	11	19.00
OCT60M12	60	M12	55	40	47	24.5	23	11	20.12